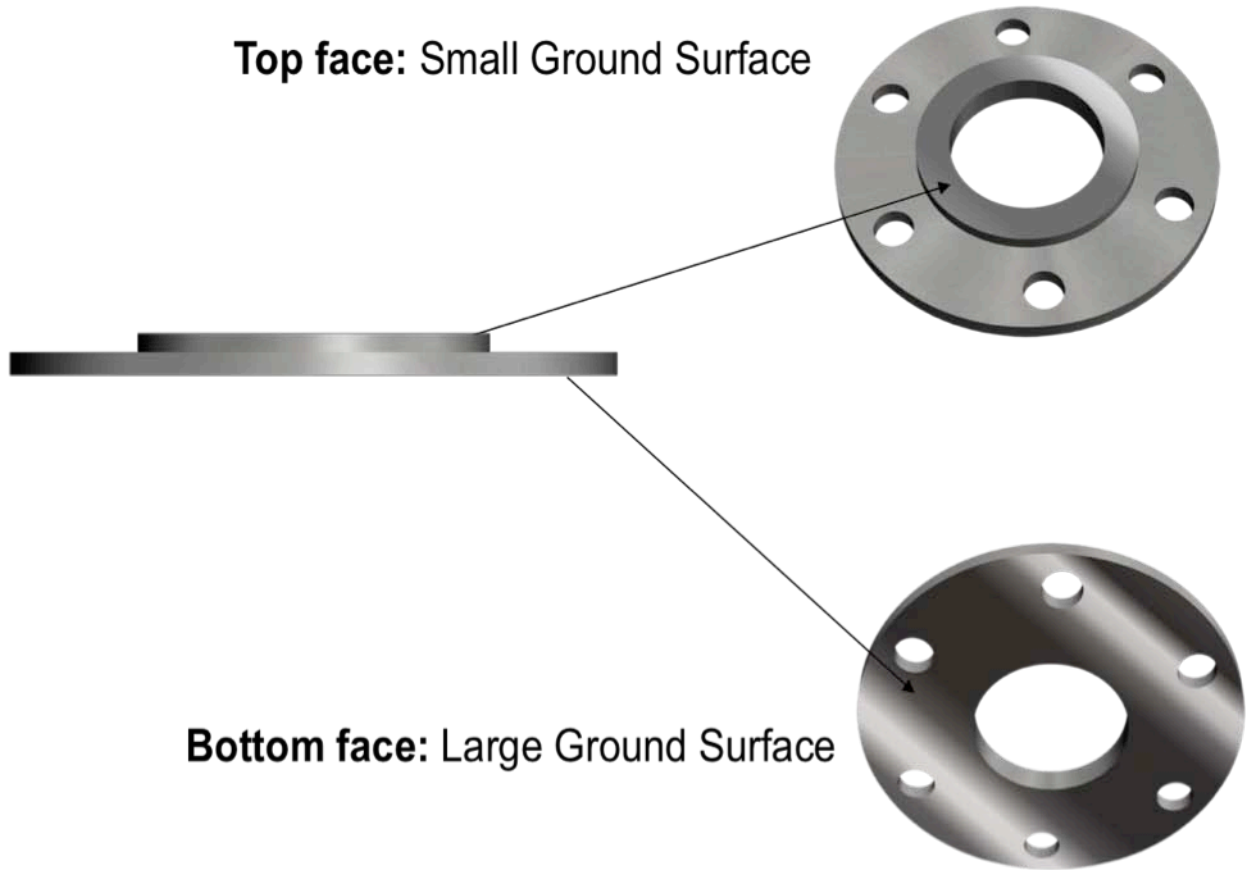
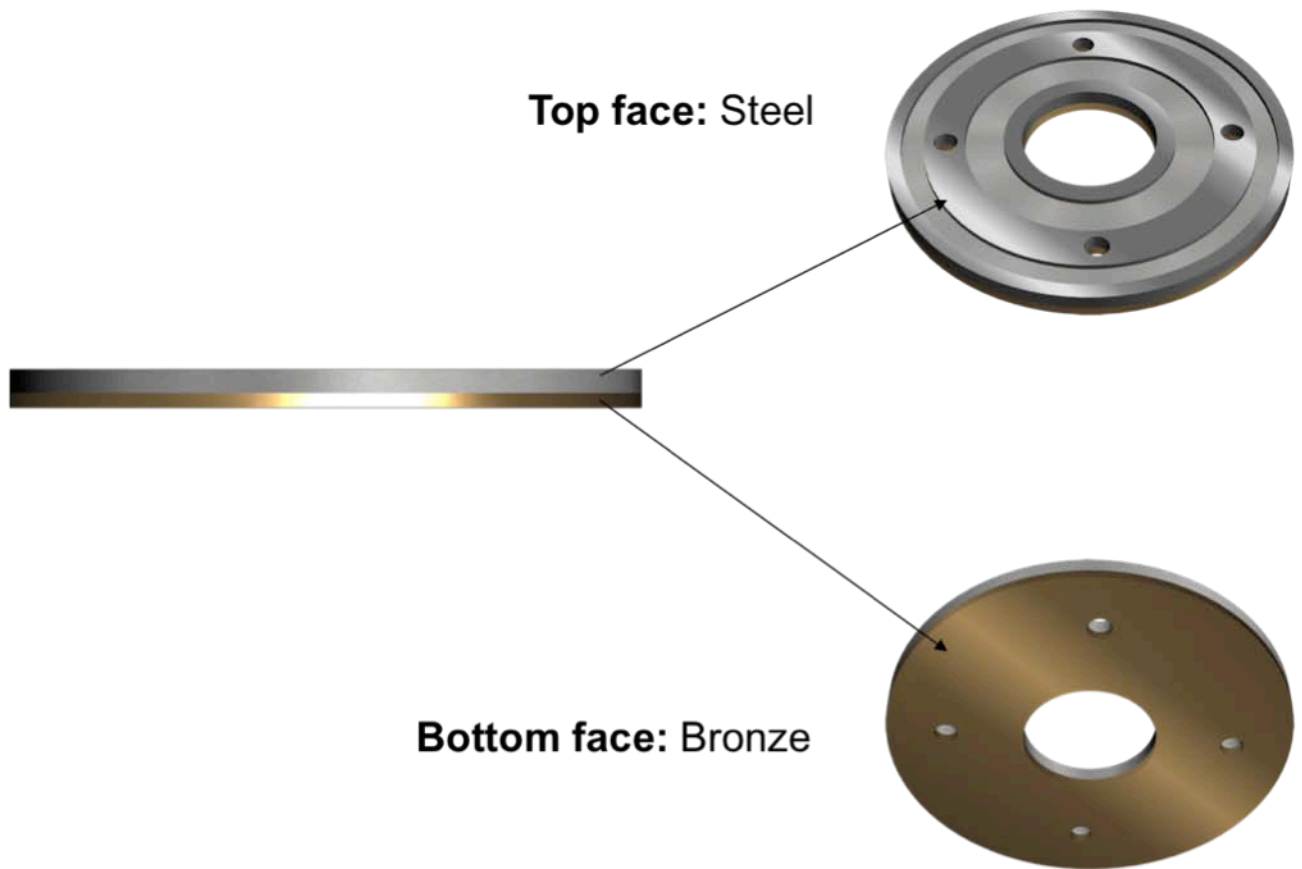


UNIQUE CAPABILITIES OF THE DOUBLE-SIDED FLAT HONING PROCESS

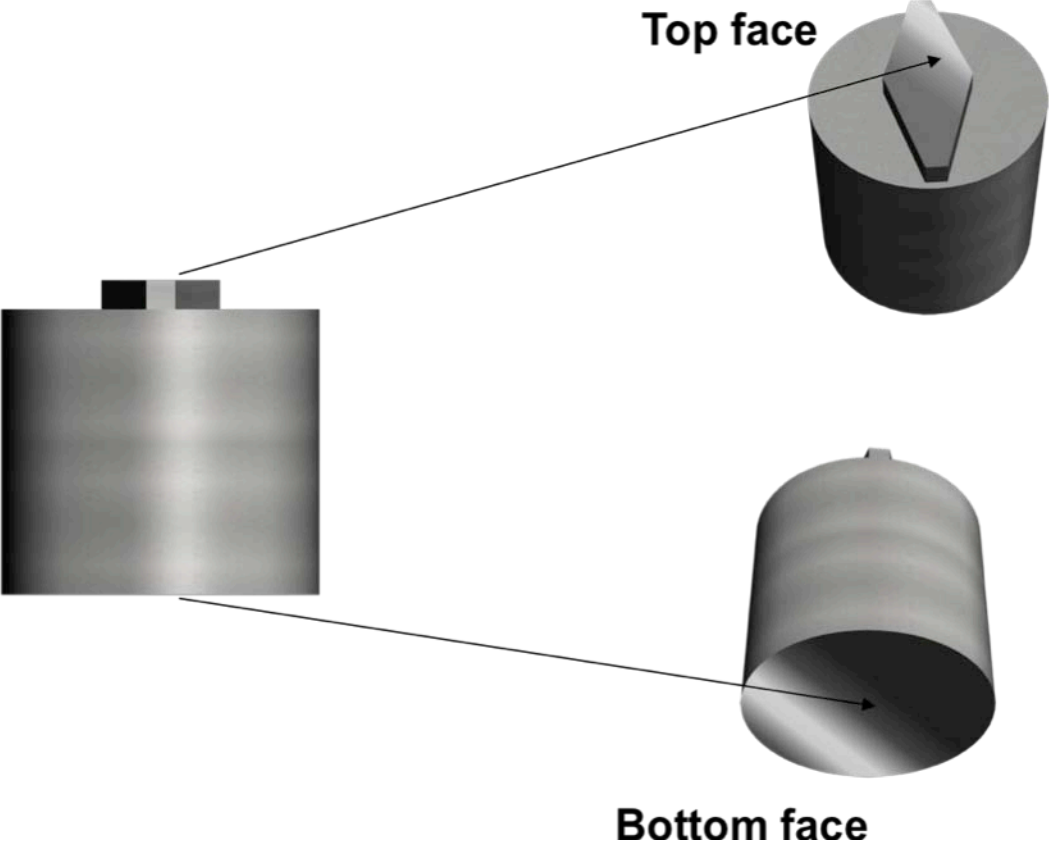
**Parts with Different Surface Area**



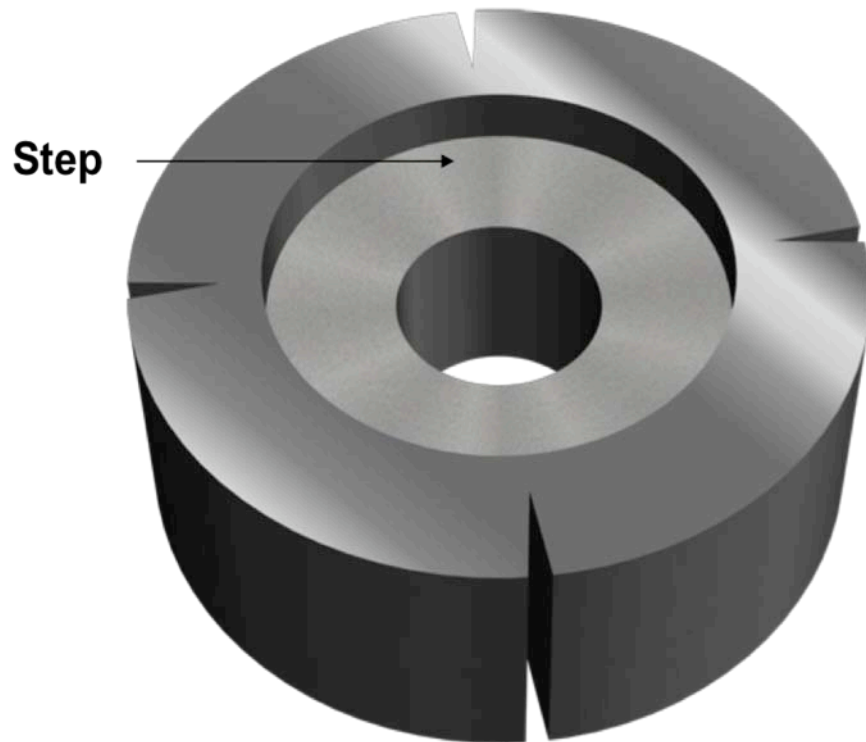
## Parts with Different Materials on Opposite Faces



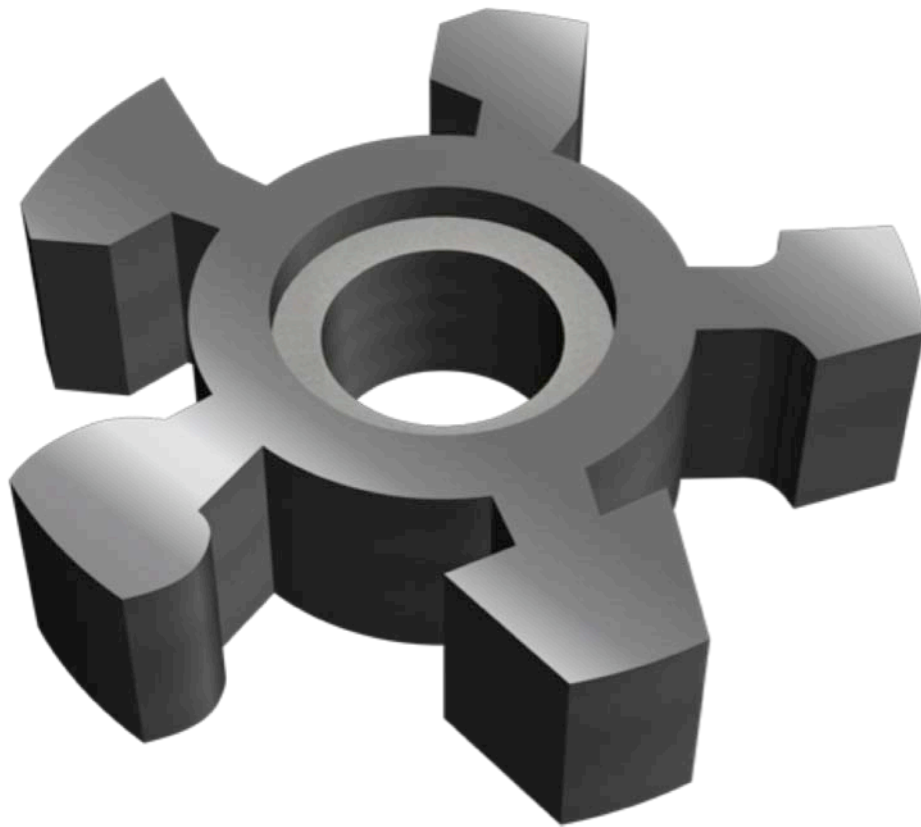
**Parts where Height > Width**



## Parts with Specific Step Dimensions



## Parts with Irregular Profiles



## Parts with only One Face to Grind

